

STANDARD CONSTRUCTION

MATERIAL

- GAUGE: Standard - 18 ga.; Optional - 16 ga., 14 ga., and 12 ga.
- COATING: Standard - A40 galvanized; Optional - A60 galvanized and G90 galvanized
- PRIMER: Standard - rust-inhibitive primer; Optional - unprimed (standard on G90)

REINFORCEMENTS

- Hinge Reinforcement: 7 ga.
- Closer Reinforcement: 14 ga.
- Hardware Reinforcement: 16 or 14 ga.

GENERAL CONSTRUCTION

- 1-3/4" thick standard; other thicknesses available
- Inverted top and bottom channels standard (flush optional)
- Beveled edges (square optional)
- 1/4" hinge backset
- Seamless edges optional
- Oversized doors

FIRE RATINGS

- UL & Intertek listed up to 3 hours - mylar and metal options
- Guardian labels available for oversize and custom products

CORE OPTIONS

- Polystyrene
- Honeycomb
- Steel Stiffened
- Polyurethane
- Fiberboard / Temperature Rise

SPECIALTY DOORS

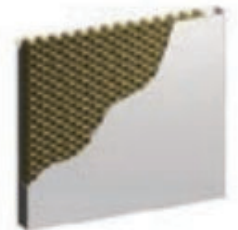
- STC - Sound Transmission Class Openings
- Lead Lined
- Alternate Thickness Doors: 1-3/8", 2", and thicker
- Wicket Doors
- Dutch Doors and Dutch Door Shelves
- Monorail Doors
- Bullet Resistant Assemblies

CORE OPTIONS



POLYSTYRENE

HONEYCOMB



STEEL STIFFENED

POLYURETHANE

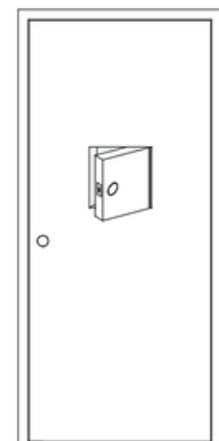


FIBERBOARD /
TEMPURATURE RISE

DUTCH DOOR
W/ SHELF



WICKET
DOOR



DOOR OPTIONS MATRIX

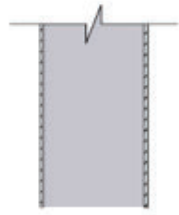
DOOR SPECIFICATION		LS SERIES	SW SERIES
MATERIAL GAUGE	18 ga.	S	O
	16 ga.	O	S
	14 ga.	-	O
	12 ga.	-	O
SEAM TYPE	SEAMED EDGE	S	-
	SEAMLESS EDGE	O	S
CORES	POLYSTYRENE	S	S
	POLYURETHANE	O	O
	HONEYCOMB	O	O
	STEEL STIFFENED	O	O
	TEMPURATURE RISE	-	O
COATING	A40	S	S
	A60	O	O
	G90	O	O
PRIMER	RUST-PROHIBITIVE PRIMER	S	S
	UNPRIMED	O	O
DOOR THICKNESS	1-3/4"	S	S
	1-3/8"	O	O
	OTHER THICKNESS	-	O
EDGE TYPE	BEVELED	S	S
	SQUARE	O	O

S: Standard feature

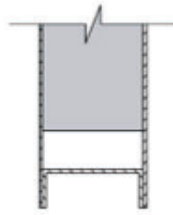
O: Optional feature

-: Not available

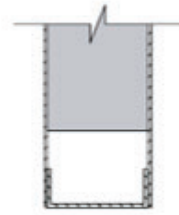
LITE KIT AND LOUVER CUTOUTS



CO1
CUTOUT ONLY
NO CHANNEL



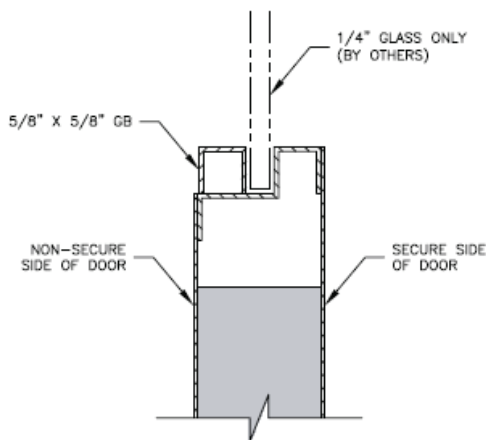
CO2
CUTOUT ONLY
INVERTED CHANNEL



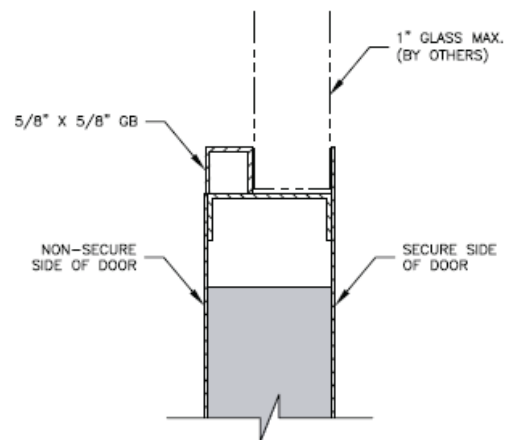
CO3
CUTOUT ONLY
FLUSH CHANNEL

- CO1 available up to 1/2 glass application
- CO2 or CO3 required for greater than 1/2 glass application

INTEGRAL LITE KITS AND LOUVERS



LIT1
INTEGRAL LITE KIT
TYPE 1
STEPPED CHANNEL



LIT2
INTEGRAL LITE KIT
TYPE 2
FLUSH CHANNEL

- Custom kits available for alternative glass thickness