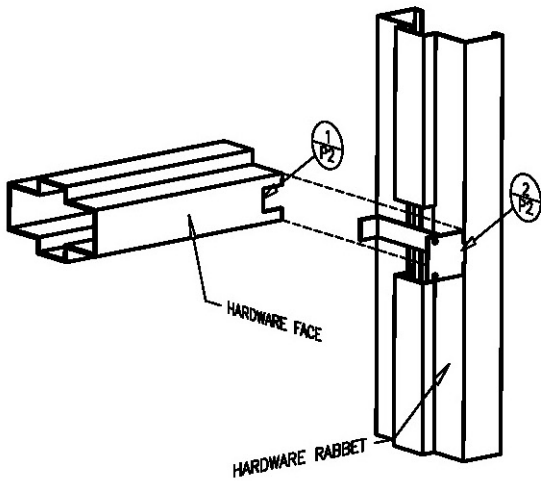
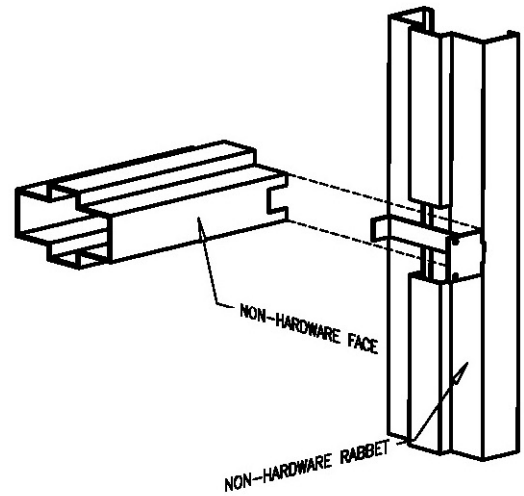


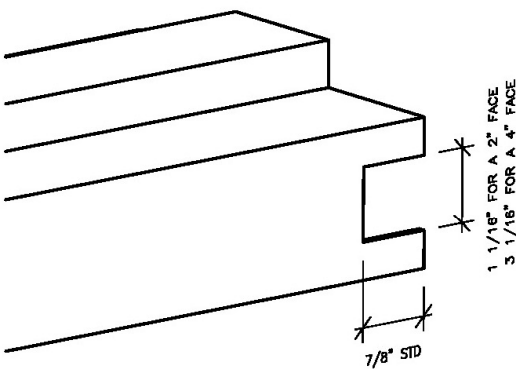
HORIZONTAL REMOVABLE MULLION



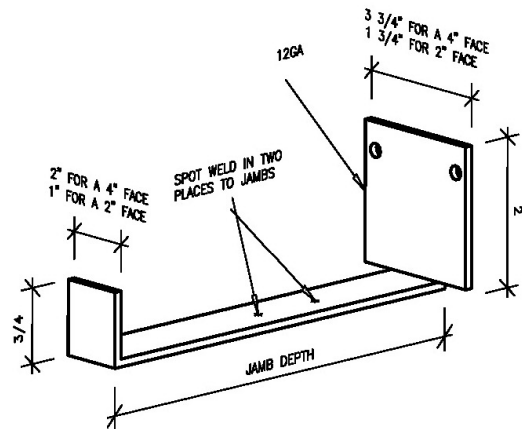
RH/LH



RHR/LHR



① FACE CUTOUT



② MULLION BRACKET