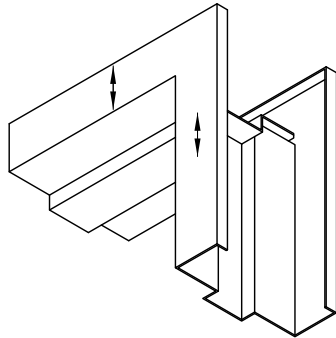
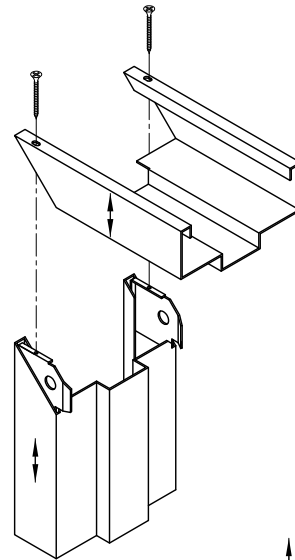


FEATURES

- FACE WELDED OR KD-DRYWALL CONSTRUCTION
- 16, 14 OR 12 GAUGE AVAILABLE
- TYPE 304 STANDARD
 - 316 AVAILABLE
- #4 BRUSHED FINISH STANDARD
 - #2B MILL FINISH AVAILABLE
- ALL STAINLESS STEEL COMPONENTS
- STANDARD AND CUSTOM PROFILES
- CUSTOM ELEVATIONS (SIDELITES, BORROWED LITES, TRANSOMS, ETC.)

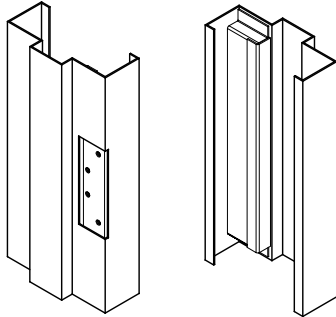


FACE WELDED CORNER

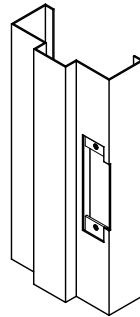


OPTIONAL KD-DRYWALL CORNER

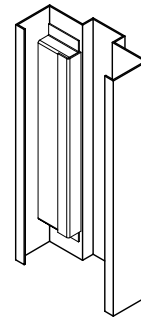
↑ = DIRECTION OF GRAIN



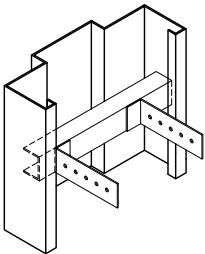
HINGE PREP
(WITH DUST COVER)



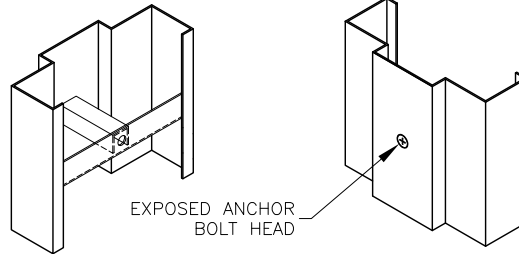
ASA STRIKE PREP
(WITH DUST COVER)



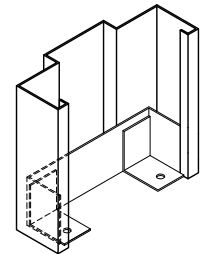
OPTIONAL 45° HOSPITAL STOP



WOOD/STEEL STUD ANCHOR



EXISTING WALL ANCHOR



TWO-PC. BASE ANCHOR